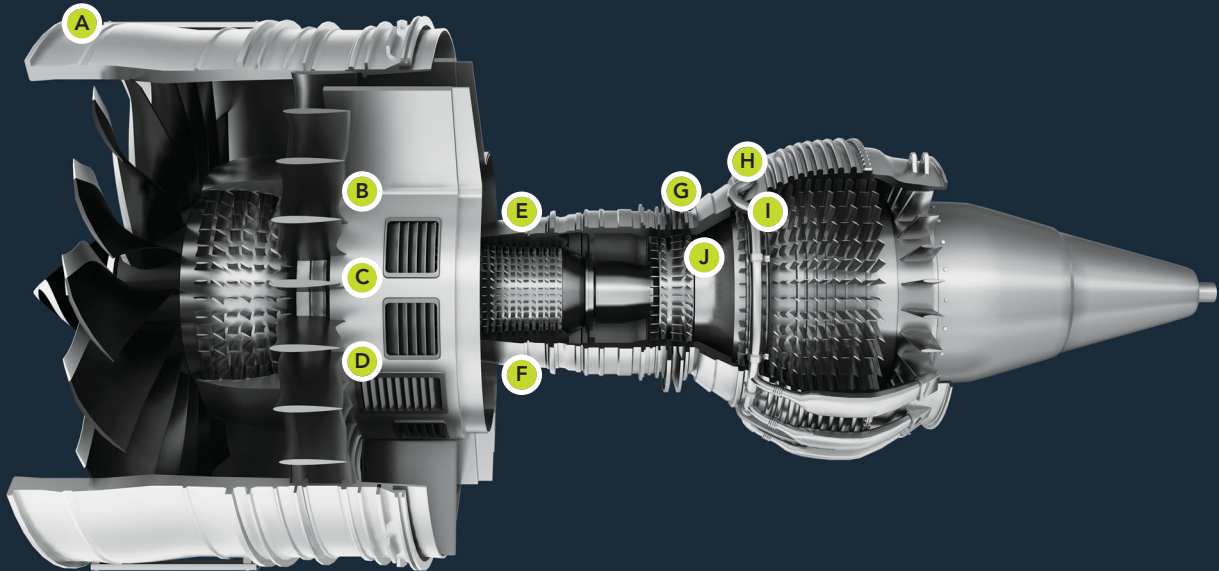


LEAP



Keeping our customers Airborne for longer

A T12 Sensor

B Fuel Heater

C IDG Oil Cooler

D Oil Level Sensor

E T25 Sensor

F N1 & N2 Sensors

G Modulated Turbine Cooling Valve

H T48 Exhaust Gas Sensor

I T48 Harness

J Vibration Sensors



APPROVALS: CAAC | CAAS | EASA | FAA | ISO/AS9100 | ISO 14001