

HFG2.0 High force gas valve

5002605, 5002610

Two inch all-electric linear actuated high force gas valve. Monitor and program using ACTWiz software.



Key features

- 1-30 MW gas turbine applications.
- High force and large flow area reduces risk of contamination.
- Low-level fuel leakage eliminates redundant shutoff valves.
- Programmable calibration for a variety of applications.
- Configuration software provided.
- Wide operating temperature range.
- Fail-safe operation.
- Certified for hazardous area environments.
- Increased safety integrity level (SIL).
- US patent no 6,392,322

Specifically designed for high-temperature hazardous applications, Meggitt's all-electric HFG2.0 high force gas valve provides precise control for main and pilot standard combustion and dry-low emission (DLE) applications. The patented design features a balanced flow metering section and an explosion-proof on-board electronic controller, ensuring reliable and safe operation. HFG2.0 valve bodies are available in anodized aluminum or stainless steel.

Specifications

Function	All-electric gas fuel metering valve
Application	1-30 MW gas turbine
Physical size	7.70" flange-to-flange, 25.4" high
Weight	Aluminium - 85 lbs, stainless - 190 lbs
Flange type	SAE J518, -32 (2-inch), code 61
Line pressure	600 psig max
Fuel temperature	-40°F to 257°F
Ambient temperature	-40°F to 200°F
Control/feedback interfaces	4 to 20 ma
Logic I/O interfaces	24 VDC
Performance	
Flow	1.0 CdA
Operating time	<100 msec (10% to 90% stroke)
Electrical	
Input voltage	120 VDC nominal
Current	<1 A typical, 20 A max
Certifications	CSA, CE, ATEX

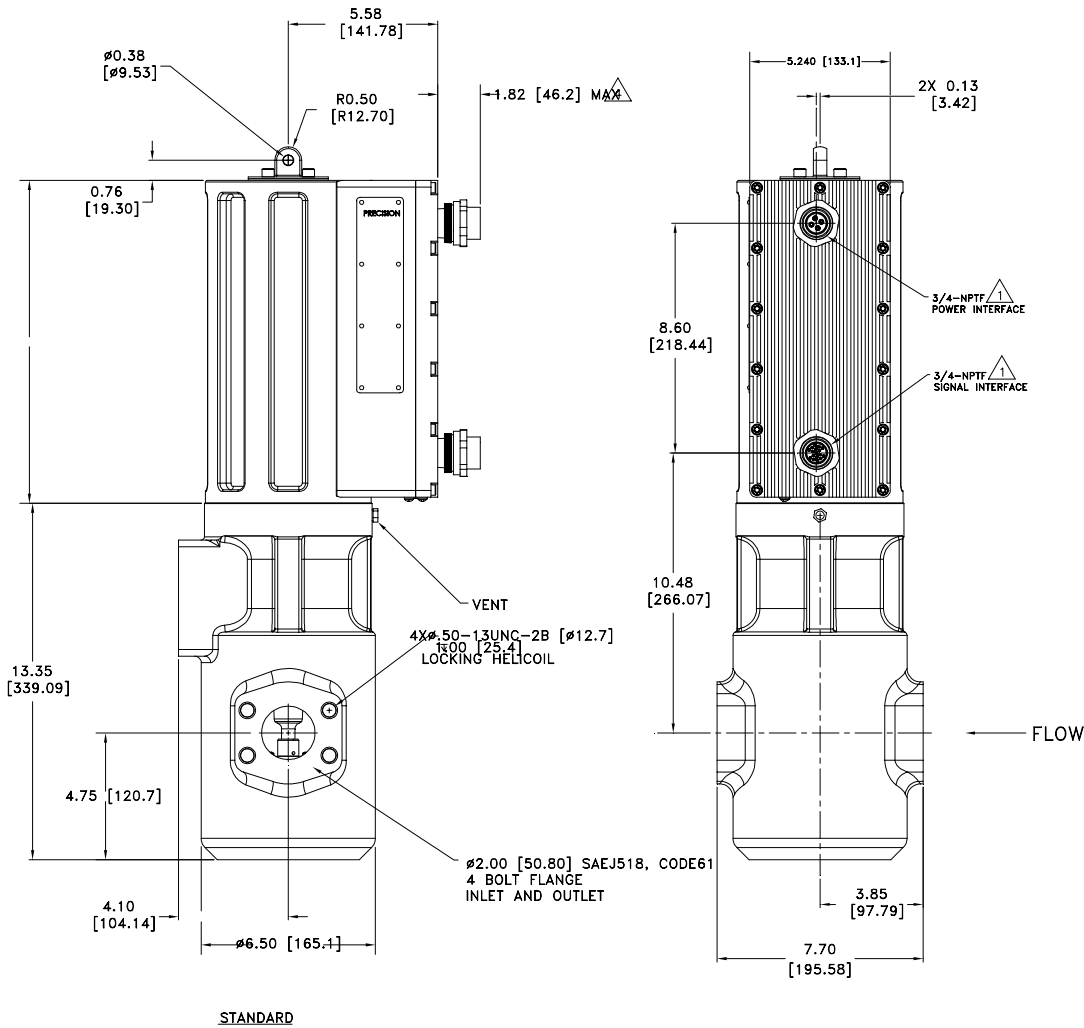
Meggitt Control Systems

Our product competencies and services:
Aerospace valves | Thermal management solutions | Electromechanical products | Ducting | Ground fuelling products | Industrial controls
Aftermarket services | Safety systems

MEGGITT
smart engineering for
extreme environments

HFG2.0 High force gas valve

5002605, 5002610



Contact

Meggitt Control Systems
12838 Saticoy Street
North Hollywood CA 91605
USA
Tel: +1 818 765 8160
Fax: +1 818 759 2194

Meggitt Control Systems
11661 Sorrento Valley Road
San Diego CA 92121
USA
Tel: +1 858 792 3261
Fax: +1 858 792 3200

www.meggitt.com

Meggitt Control Systems

Our product competencies and services:
Aerospace valves | Thermal management solutions | Electromechanical products | Ducting | Ground fuelling products | **Industrial controls**
Aftermarket services | Safety systems

MEGGITT
smart engineering for
extreme environments