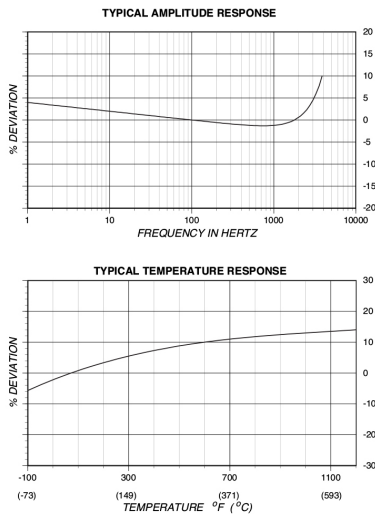
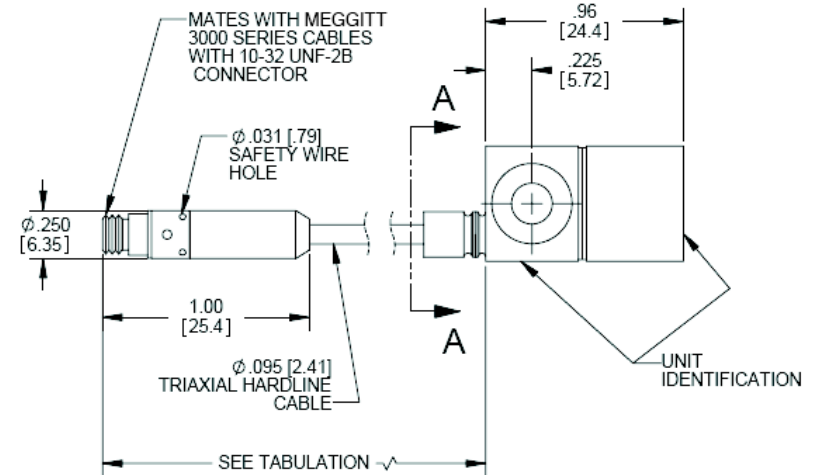
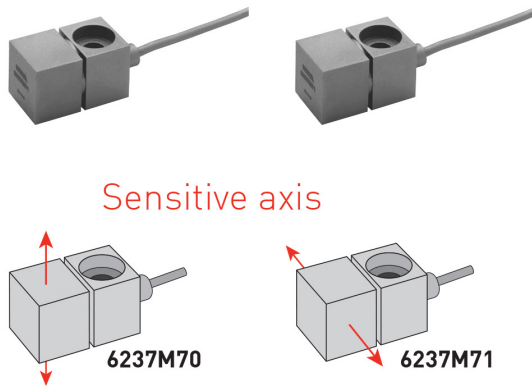
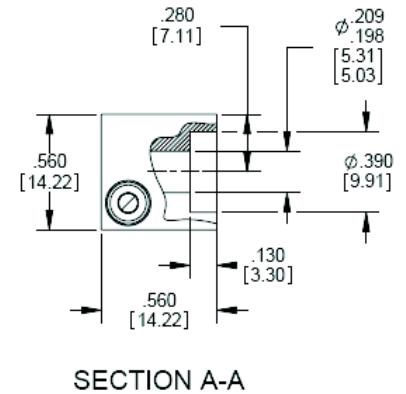


# Extreme high temperature piezoelectric accelerometer

## Model 6237M70/M71



TABULATION	
CABLE LENGTH	TOLERANCE
UP TO 72 [1829]	±2.00 [51]
73 [1854] TO 144 [3658]	± 4.00 [102]
OVER 144 [3658]	± 4.00 [102] PER 144 [3658] OR PORTION THEREOF



STANDARD TOLERANCE  
 INCHES [MILLIMETERS]  
 .XX = ± .02 [X = ± .5]  
 .XXX = ± .010 [XX = ± .25]

SOL

### Key features

- +1200°F (+650°C) operation
- Integral hardline cable
- Single bolt mount
- Ground isolated
- Gas turbine testing

### Description

The Meggitt® model 6237M70 and 6237M71 piezoelectric accelerometers are designed specifically for use in extremely high temperature environments such as aircraft and ground-based gas turbines. These accelerometers are designed for continuous operation at +1200°F (+650°C) with long Mean Time Between Failure (MTBF). The small size and light weight of these accelerometers permit installation in cramped locations with minimal structural support. The accelerometer is a self-generating device that requires no external power source for operation.

Models 6237M70/M71 incorporate Meggitt's crystal in a shear design. The 6237M70 and 6237M71 differ in their internal design and in the direction of the sensitive axis. The 6237M70 has its sensitive axis located in line with the mounting screw, while the 6237M71 is oriented perpendicular, or transverse, to the mounting screw. The sensing elements and integral shield are isolated from the case. These accelerometers feature an integral hardline cable with a standard length of 120 inches (3.05 meters). Other cable lengths are also available on special order.

# Extreme high temperature piezoelectric accelerometer

## Model 6237M70/M71

### Specifications

The following performance specifications conform to ISA-RP-37.2 and are typical values, referenced at +75°F (+24°C), 100 Hz and 10 Vdc unless otherwise noted. Calibration data, traceable to National Institute of Standards and Technology (NIST), is supplied.

Dynamic characteristics	Units	6237 M70/M71
Charge sensitivity, ±5%	pC/g (pC / m/s <sup>2</sup> )	10 (1.02)
Frequency response [1]		See typical amplitude response
Resonance frequency	kHz	11
Amplitude response [2]		
±5%	Hz	1 to 3000
±1 dB	Hz	1 to 5000
Temperature response [3]		See typical curve
+600°F (+315°C) max/min	%	+15 / +2
+1000°F (+537°C) max/min	%	+22 / +5
+1200°F (+650°C) max/min	%	+22 / +5
Transverse sensitivity	%	≤ 5
Amplitude linearity		
per 500 g, 0 to 2000 g	%	1
<b>Electrical characteristics</b>		
Output polarity		Acceleration directed into base of unit produces positive output at center socket of receptacle
Resistance [4]		
at +1200°F (+650°C)	kΩ	≥ 10
Isolation		
at +1200°F (+650°C)	kΩ	≥ 500
Hardline cable resistivity		
two places at +1200°F (+650°C)	kΩ-ft (kΩ-m)	100 (30.5)
Capacitance		
transducer (excluding cable)	pF	60
hardline cable capacitance	pF/ft (pF/m)	100 (328)
(center conductor to inner shield)		
Grounding		Signal return isolated from case
<b>Environmental characteristics</b>		
Temperature range		
transducer/hardline cable [5]		-67°F to +1200°F (-55°C to +650°C)
Connector		-67°F to +500°F (-55°C to +260°C)
Humidity		
transducer/cable		Open to environment via vent hole in splash protected area
connector		Epoxy sealed, non-hermetic
Sinusoidal vibration limit	g pk (m/s <sup>2</sup> pk)	500 (4900)
Shock limit	g pk (m/s <sup>2</sup> pk)	2000 (19 600)
<b>Physical characteristics</b>		
Dimensions		See outline drawing
Weight (excluding cable)	oz (gm)	1.1 (30)
Case material		Inconel
Hardline cable [7]		Triaxial, 0.095 inch (2.4 min) diameter, Inconel jacketed, mineral oxide insulated. The model number suffix "-XXX" indicates cable length in inches.
Connector		Coaxial receptacle with 10-32 UNF threads designed to mate with Meggitt 3000 series cable assembly or equivalent. Receptacle must be handled with care
Mounting torque	lbf-in (Nm)	18 (2)
<b>Calibration data supplied</b>		
Charge sensitivity	pC/g	
Frequency Response	%	50 Hz to 2000 Hz
Transverse sensitivity	%	
Capacitance (@1000Hz)	pF	

# Extreme high temperature piezoelectric accelerometer

## Model 6237M70/M71

### Accessories

Product	Description	6237M70/M71
Meggitt EH471	Mounting screw, 10-32 x 0.75 in, 12 pt	Included
3090C-XXX	Cable assembly, "-XXX" indicates cable length in inches	Optional
2721B	Charge amplifier	Optional
2771CM2-1	Remote charge converter	Optional

### Notes

1. Frequency response is controlled by the resonance characteristics of the transducer. Estimated calibration errors are  $\pm 1.5\%$  to 900 Hz and  $2.5\%$  from 900 Hz to 5000 Hz.
2. Low-end response of the transducer is a function of its associated electronics.
3. Spurious high frequency discharge may be exhibited by this device for several minutes after exposure to temperature transients of greater than  $+100^\circ\text{F}$  ( $+38^\circ\text{C}$ ) per minute.
4. The electrical resistance of piezoelectric materials decreases with an increase in temperature and can approach  $10\,000\Omega$  at  $+1200^\circ\text{F}$  ( $+650^\circ\text{C}$ ).
5. For cable lengths of less than 12 inches (0.30 m), the maximum operating temperature is  $+500^\circ\text{F}$  ( $+260^\circ\text{C}$ ). The temperature charge deviation at  $+500^\circ\text{F}$  ( $+260^\circ\text{C}$ ) is typically  $+8\%$ .
6. Specify the model number as 6237MYX-XXX. 6237M70-120 and 6237M71-120 are the standard cable length products.

6237MYX - XXX

\_\_\_\_\_ Cable length in inches

\_\_\_\_\_ 70 = sensitive axis in line with mounting screw

\_\_\_\_\_ 71 = sensitive axis per perpendicular to mounting bolt and cable axis