

## Energy products

# High recovery gas metering valve

## C423025, C423035, C423045

Two, three or four-inch flange,  
electrically actuated



Meggitt's precision plug style gas metering valve is designed for use on aero-derivative and large frame industrial gas turbines. This product offers precision gas flow metering with exceptionally high pressure recovery.

### Specifications

<b>Function:</b>	High pressure recovery, gas flow control for turbine engines
<b>Physical size:</b>	See tabulation
<b>Weight:</b>	2", 100 pounds; 3" 160 pounds; 4", 230 pounds
<b>Flange type:</b>	ANSI B16.5 CL 300 raised face flanges
<b>Line pressure:</b>	0 to 500 psig
<b>Fluid temperature:</b>	-40 to 450°F
<b>Ambient temperature:</b>	-20 to 200°F
<b>Performance:</b>	(Numerous flow profiles available)
<b>Trim profiles:</b>	Cg = 300, 600, 800, 1200, 2000, 2900 and 3500
<b>Pressure drop:</b>	Choked flow pressure ratio $\leq 1.08$
<b>Electrical:</b>	
<b>Motor:</b>	90 to 200 VDC, 0.3 ampere steady state, 8 amperes peak
<b>Resolver:</b>	4 VAC, 25 to 60 milliamperes
<b>LVDT:</b>	Excitation, 7.07 ( $\pm 0.14$ ) volts rms, 3000 ( $\pm 300$ ) Hz
<b>Thermostat:</b>	Opens at 329 to 347°F, resets at 251 to 270°F

### Key features

- Patented design
- Exceptionally high gas pressure recovery
- Fail-safe closed
- Designed for use on both DLE and SAC turbine engines
- NEC class 1, division 1, groups C and D; T4 temp code, CE PED certified, ATEX group II, category 2, zone 1 (II2G)
- All stainless steel valve and yoke materials for NACE compliance
- No maintenance required under normal conditions

## Meggitt Control Systems

**Our product competencies & services:**  
Aerospace valves | Thermal management solutions | Environmental control systems | Electro-mechanical products  
Ground fueling products | Energy products | Aftermarket services

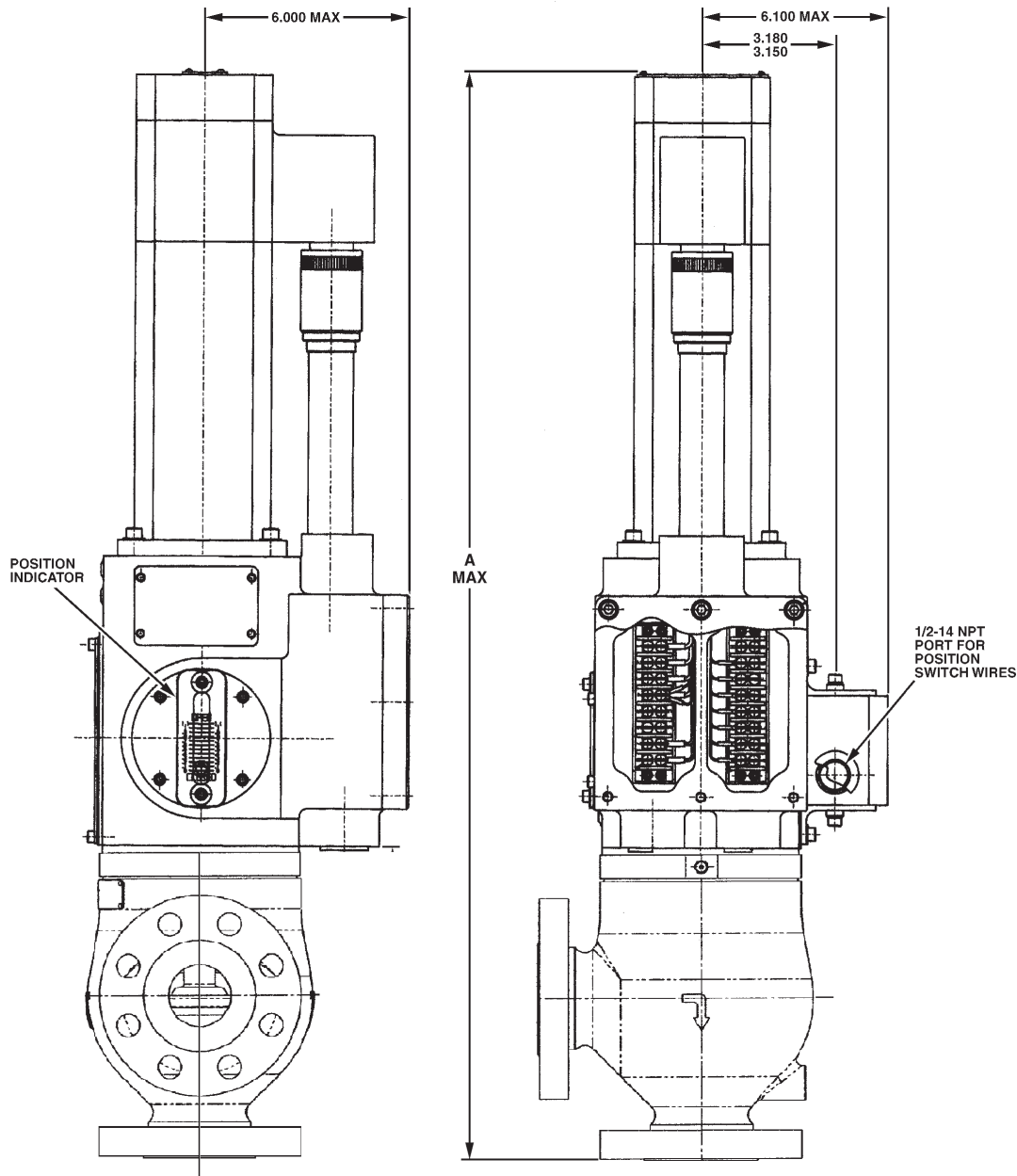
**MEGGITT**  
smart engineering for  
extreme environments

Energy products

# High recovery gas metering valve

C423025, C423035, C423045

Key dimensions



NOTE: ALL DIMENSIONS ARE IN INCHES.

FLANGE SIZE	2-INCH	3-INCH
DIMENSION A	30.81	40.0

Contact

Meggitt Controls

12838 Saticoy St  
North Hollywood  
California 91605-3505  
USA

Telephone: (818) 765-8160  
FAX: (818) 759-2194

www.meggitt.com

Meggitt Control Systems

Our product competencies & services:  
Aerospace valves | Thermal management solutions | Environmental control systems | Electro-mechanical products  
Ground fueling products | Energy products | Aftermarket services

**MEGGITT**  
smart engineering for  
extreme environments