

Energy products

Hot air bleed control valve C422635

Four-inch flange, 110 to 150 vdc,
electromechanically actuated (EMA)



Meggitt's four-inch linear variable plug style bleed air control valve is designed for use on aero-derivative and large frame industrial gas turbines. This product offers a very high degree of flow accuracy and resolution for hot bleed air environments.

Specifications

Function:	High speed, precision hot bleed air flow control and resolution for turbine engines
Physical size:	13.5" wide, 12.5" deep, 45.5" long
Weight:	230 pounds
Flange type:	4" ANSI B16.5 CL 300 raised face flanges
Line pressure:	180 to 360 psia
Fluid temperature:	100 to 920°F
Ambient temperature:	-40 to 400°F
Performance:	
Flow:	Approximately equal percentage, Cv = 295 minimum
Internal leakage:	11 pounds/minute maximum at 350 psia
Operating time:	Slew rate = 200 msec maximum, 5 seconds maximum fail-safe closed (power loss)
Electrical:	
Motor:	110-150 VDC, 1.0 ampere steady state maximum; 8 amperes maximum peak
Resolver:	4 VAC, 25 to 60 ma maximum
Thermostat:	Normally closed; rated for 4 amperes, 120 VAC; opens at 293 to 311°F, resets at 239 to 257°F

Key features

- High resolution and flow accuracy
- High speed brushless DC servo motor performance
- Fail-safe closed
- Visual position indication
- Thermal overload protection
- 200 msec full stroke response time
- Designed for use on both DLE and SAC turbine engines
- Explosion proof design, ATEX: EExd T3, gas group IIC, T3, EC94; PED, CSA and UL: class 1, division 1, groups C and D; ingress protection: IP65
- All steel valve and yoke materials for NACE 2002 compliance
- No maintenance required under normal conditions

Meggitt Control Systems

Our product competencies & services:
Aerospace valves | Thermal management solutions | Environmental control systems | Electro-mechanical products
Ground fueling products | **Energy products** | Aftermarket services

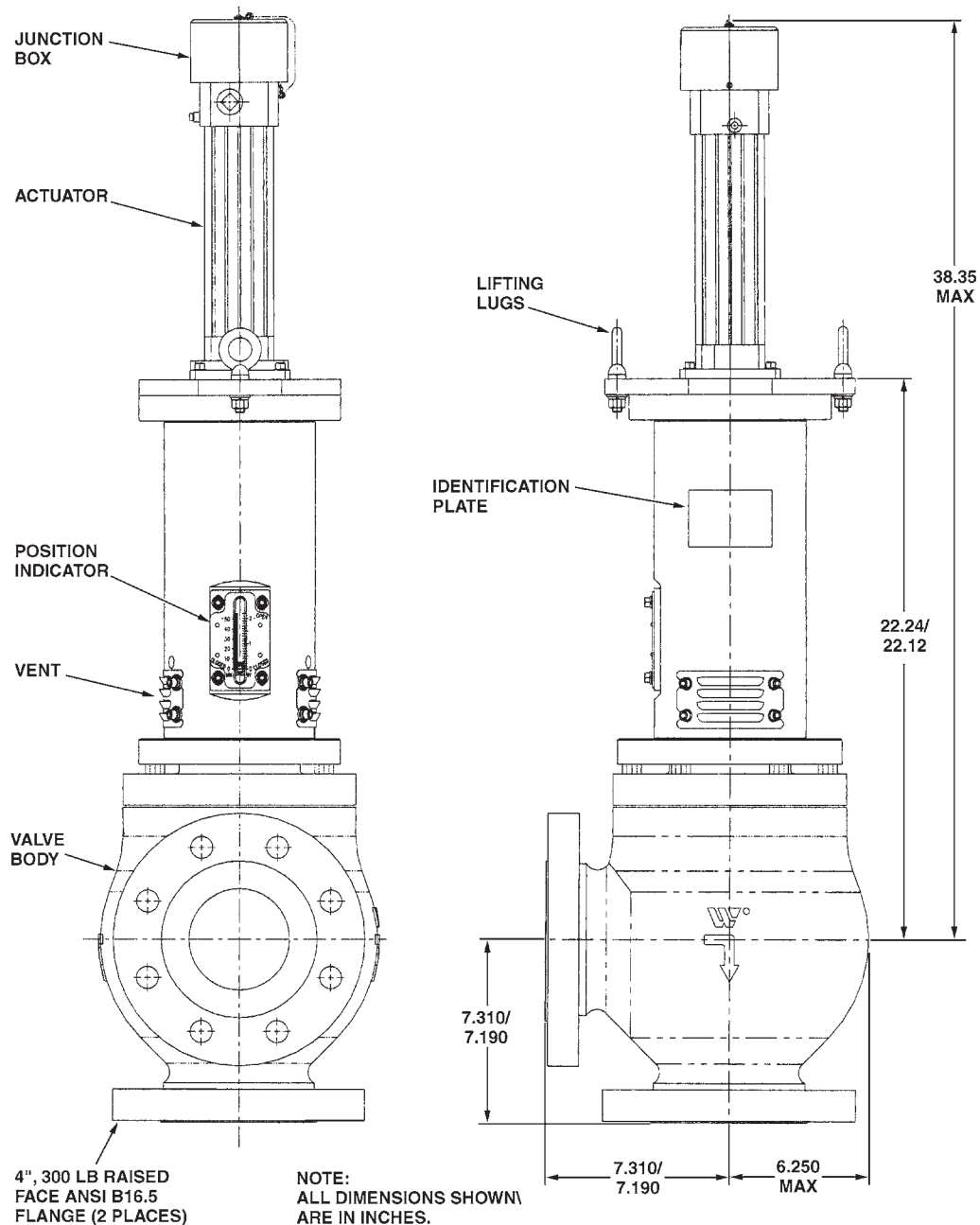
MEGGITT
smart engineering for
extreme environments

Energy products

Hot air bleed control valve

C422635

Key dimensions



Contact

Meggitt Controls

12838 Saticoy St
North Hollywood
California 91605-3505
USA

Telephone: (818) 765-8160
FAX: (818) 759-2194

www.meggitt.com

Meggitt Control Systems

Our product competencies & services:
Aerospace valves | Thermal management solutions | Environmental control systems | Electro-mechanical products
Ground fueling products | **Energy products** | Aftermarket services

MEGGITT
smart engineering for
extreme environments