

## Energy products

# Gas and liquid shutoff valve

C422425, C422685, C422695, C422705

1/2-inch port, 24 vdc,  
 solenoid operated



Meggitt's 1/2-inch direct solenoid operated gas shutoff valve is designed for use in fuel gas, air, and liquid control systems. This product offers a very high degree of reliability in fluid control systems.

### Specifications

<b>Function:</b>	Gas shutoff or vent valve for turbine engines
<b>Physical size:</b>	5.75" diameter, 9.81" high
<b>Weight:</b>	30 pounds
<b>Pipe size:</b>	1/2 inch NPT
<b>Line pressure:</b>	0 to 1500 psi
<b>Fluid temperature:</b>	-40 to 400°F
<b>Ambient temperature:</b>	-40 to 212°F
<b>Electrical:</b>	
<b>Voltage:</b>	24 VDC nominal (20 to 28 VDC range), 1 ampere maximum at 25 VDC, continuous duty
<b>Position indicating switch:</b>	C422425 – Normally open valve with open position switch C422695 – Normally closed valve with closed position switch C422685 – Normally open valve without position switch C422705 – Normally closed valve without position switch
<b>Leakage:</b>	ANSI class VI

### Key features

- Fail-safe closed or failsafe open (either available)
- Explosion proof design, CSA/UL, and CE-ATEX certified
- All steel materials for NACE 2002 compliance
- No maintenance required under normal conditions
- Direct acting design for high reliability
- Cv = 2.7

## Meggitt Control Systems

**Our product competencies & services:**  
 Aerospace valves | Thermal management solutions | Environmental control systems | Electro-mechanical products  
 Ground fueling products | Energy products | Aftermarket services

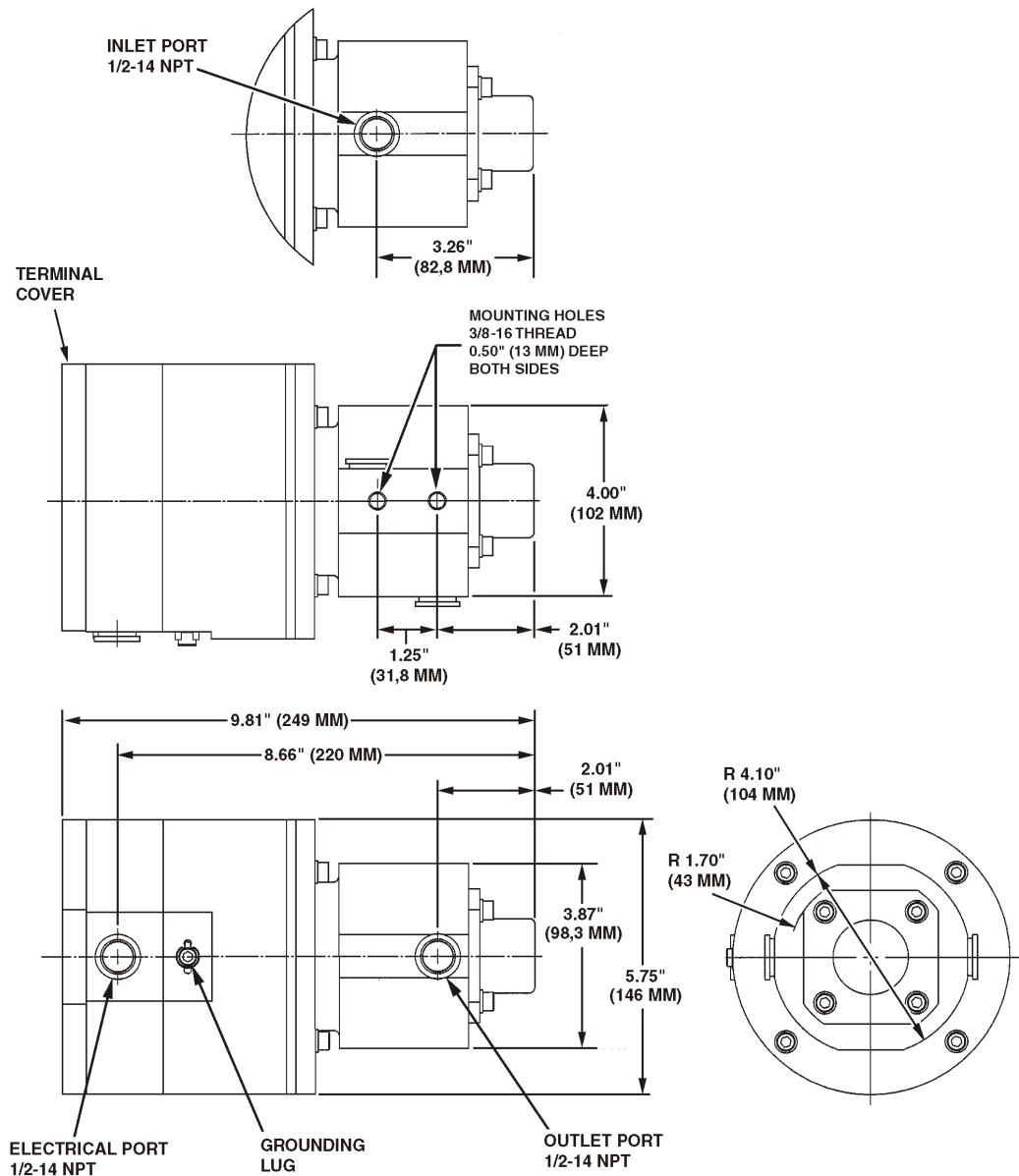
**MEGGITT**  
 smart engineering for  
 extreme environments

## Energy products

# Gas and liquid shutoff valve

C422425, C422685, C422695, C422705

### Key dimensions



### Contact

#### Meggitt Controls

12838 Saticoy St  
North Hollywood  
California 91605-3505  
USA

Telephone: (818) 765-8160  
FAX: (818) 759-2194

[www.meggitt.com](http://www.meggitt.com)

## Meggitt Control Systems

### Our product competencies & services:

Aerospace valves | Thermal management solutions | Environmental control systems | Electro-mechanical products  
Ground fueling products | **Energy products** | Aftermarket services

# MEGGITT

smart engineering for  
extreme environments