

Energy products

Bleed air control valve C422165

Three-inch flange, 90 to 140 vdc,
 electromechanically actuated (EMA)



Key features

- Exceptional position control accuracy and speed
- High speed brushless DC servo motor performance, 20 Hz frequency response
- Fail-safe open
- 175 msec full stroke response time
- Designed for use on both DLE and SAC turbine engines
- Explosion proof design
- All steel valve and yoke materials for NACE compliance
- No maintenance required under normal conditions

Meggitt's three-inch balanced plug style bleed air valve is designed for use on aero-derivative and large frame industrial gas turbines. This product offers high speed and exceptional position control for hot bleed air environments.

Specifications

Function:	High speed, precision hot bleed air flow control for turbine engines
Physical size:	12.5" flange to flange, 32.75" high
Weight:	123 pounds
Flange type:	3" ANSI B16.5 CL 300 raised face flanges
Line pressure:	0 to 350 psig
Fluid temperature:	-20 to 850°F
Ambient temperature:	-40 to 220°F
Performance:	
Flow:	Linear characteristics, 23 pounds/sec at 560°F, Cv = 271
Pressure drop:	25 psid maximum (at 3.5 pounds/sec, 500 psig)
Internal leakage:	ANSI/FC170-2, class IV
Operating time:	175 msec full stroke response (opening or closing), 350 fail-safe open
Electrical:	
Motor:	90-140 VDC, 0.3 amperes steady state maximum; 8 amperes maximum transient (100 msec)
Resolver:	4 VAC, 25 to 60 ma maximum
Thermostat:	Rated for 4 amperes, 120 VAC, opens at 329 to 347°F, resets at 251 to 270°F

Meggitt Control Systems

Our product competencies & services:
 Aerospace valves | Thermal management solutions | Environmental control systems | Electro-mechanical products
 Ground fueling products | Energy products | Aftermarket services

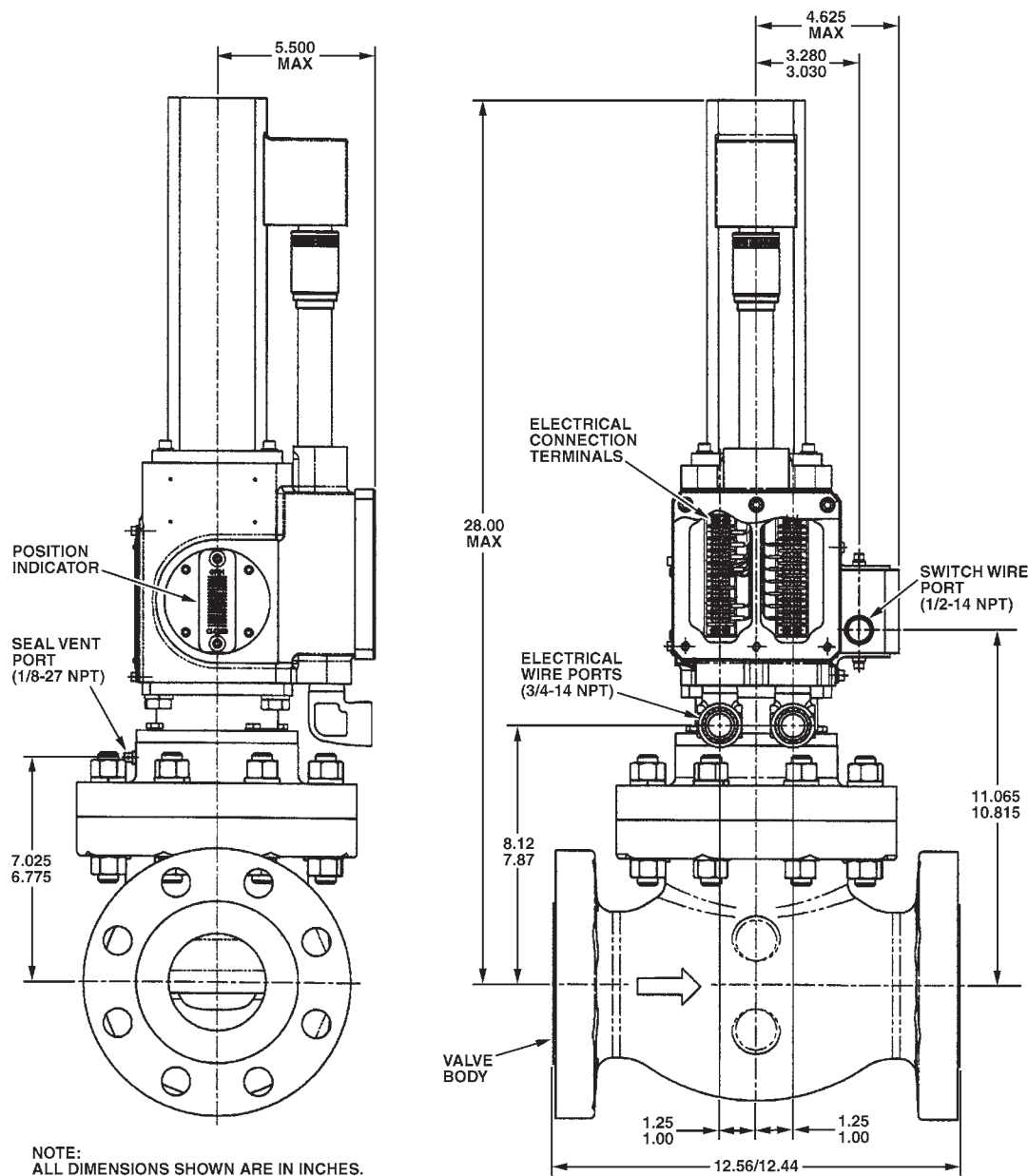
MEGGITT
 smart engineering for
 extreme environments

Energy products

Bleed air control valve

C422165

Key dimensions



Contact

Meggitt Controls

12838 Saticoy St
North Hollywood
California 91605-3505
USA

Telephone: (818) 765-8160
FAX: (818) 759-2194

www.meggitt.com

Meggitt Control Systems

Our product competencies & services:
Aerospace valves | Thermal management solutions | Environmental control systems | Electro-mechanical products
Ground fueling products | Energy products | Aftermarket services

MEGGITT
smart engineering for
extreme environments