

Energy products

Gas metering valve C329635

Two-inch flange, 90 to 140 vdc,
electromechanically actuated (EMA)



Meggitt's two-inch right angle style gas metering valve is in use on a variety of aero-derivative gas turbines. With millions of field operating hours, this design continues to prove the high reliability of Meggitt EMA technology.

Specifications

Function:	Precision fuel gas metering for aero-derivative, small and large frame turbine engine control
Physical size:	5.56" wide, 10.30" high, 28.72" long
Weight:	95 pounds
Flange type:	2" ANSI B16.5 CL 300 raised face flanges
Line pressure:	0 to 700 psia
Fluid temperature:	-40 to 300°F
Ambient temperature:	-65 to 220°F
Performance:	
Internal leakage:	ANSI class IV
Operating time:	Less than 400 msec full stroke response, 300 msec failsafe closed
Electrical:	
Motor:	Steady state, 90 to 140 VDC, 0.30 ampere; 7.0 amperes maximum peak
Resolver:	4 VAC, 25 to 60 ma maximum
LVDT:	Excitation, 7.07 (±0.14) volts rms, 3000 (±300) Hz
Thermostat:	Opens at 329 to 347EF; resets at 251 to 270EF
Variations:	Outlet orientation direction optional, flow ranges from 80 to 22,000 pph

Key features

- Exceptional accuracy, ±1% of flow point
- High speed brushless DC servo motor performance, 20 Hz frequency response
- Less than 400 msec full stroke response time
- Used on both DLE and SAC turbine engines
- Explosion proof design, CSA/UL certified for NEC class 1, division 1, groups C and D, temp code T4, CE EExd IIB, T4, CE-ATEX and PED certified
- All stainless steel valve and yoke materials for NACE compliance
- No maintenance required under normal conditions

Meggitt Control Systems

Our product competencies & services:
Aerospace valves | Thermal management solutions | Environmental control systems | Electro-mechanical products
Ground fueling products | **Energy products** | Aftermarket services

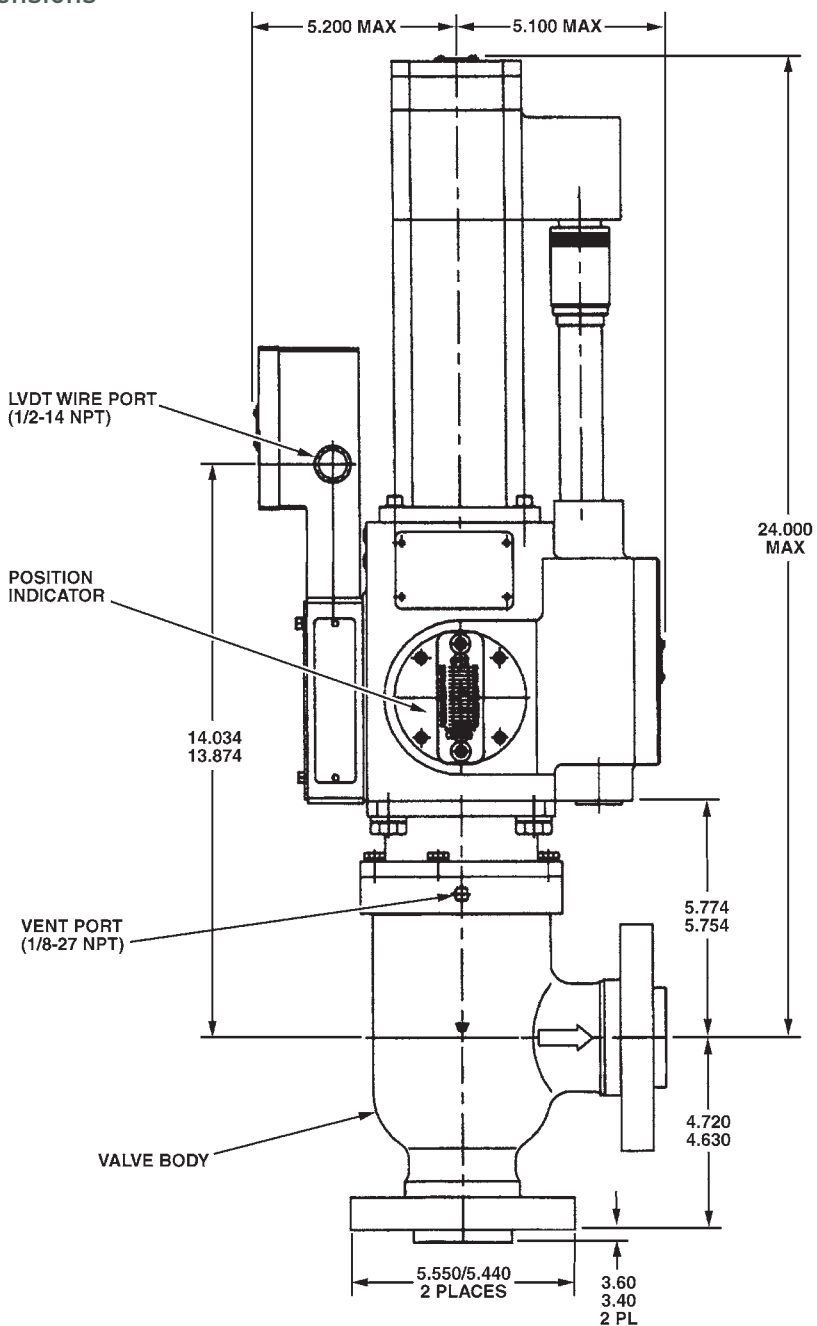
MEGGITT
smart engineering for
extreme environments

Energy products

Gas metering valve

C329635

Key dimensions



Contact

Meggitt Controls

12838 Saticoy St
North Hollywood
California 91605-3505
USA

Telephone: (818) 765-8160
FAX: (818) 759-2194

www.meggitt.com

Meggitt Control Systems

Our product competencies & services:
Aerospace valves | Thermal management solutions | Environmental control systems | Electro-mechanical products
Ground fueling products | Energy products | Aftermarket services

MEGGITT
smart engineering for
extreme environments