

Energy products

Pressure metering tube C329275

1½-inch and 2-inch tube size,
 flanged pipe with static pressure taps



Key features

- Used on both DLE and SAC turbine engines
- All stainless steel tube and flange materials for NACE compliance
- No maintenance required under normal conditions

Meggitt's static pressure metering tube is in use on a variety of industrial gas turbine engines. With millions of field operating hours, this design continues to prove the high reliability of Meggitt technology.

Specifications

| | |
|---------------------------|-------------------------------------------------------------------------------------------------------------------------|
| Function: | Pressure metering instrumentation tap and mount for 1½ and 2 inch gas fuel lines on turbine engines |
| Physical size: | 16.51" flange to flange, 6.18" diameter (C329275 and C329275-1); 22.06" flange to flange, 6.18" diameter (C329275-2) |
| Weight: | 30 pounds maximum (C329275 and C329275-1); 35 pounds maximum (C329275-2) |
| Flange type: | 1.5" (C329275 and C329275-1) and 2" (C329275-2) ANSI B16.5 CL 600 raised face flanges |
| Line pressure: | 0 to 1440 psia |
| Fluid temperature: | 32 to 400°F |

Meggitt Control Systems

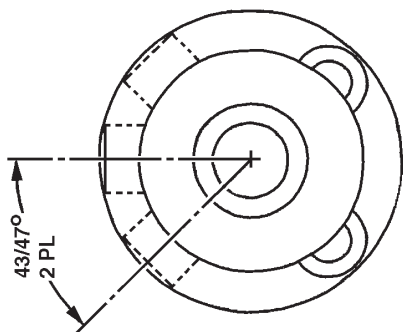
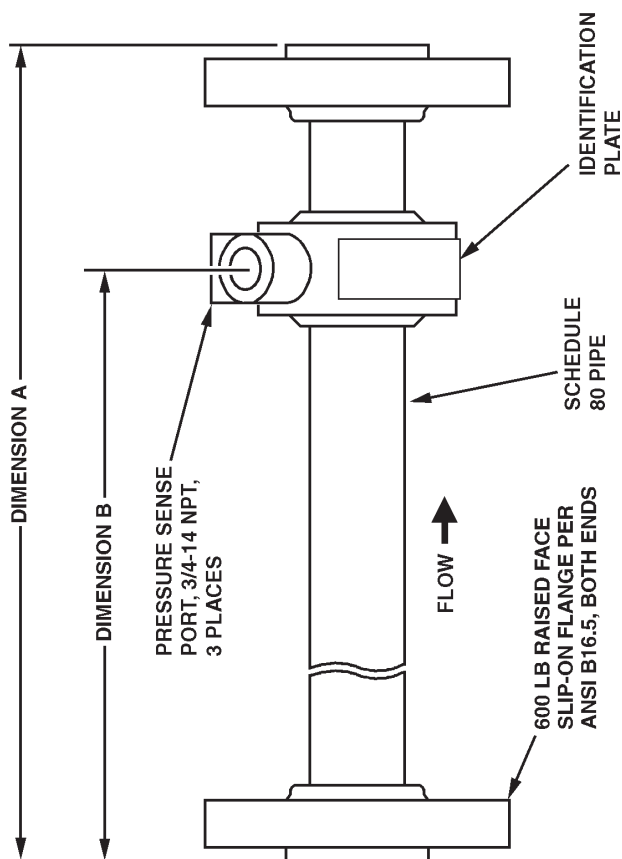
Our product competencies & services:
 Aerospace valves | Thermal management solutions | Environmental control systems | Electro-mechanical products
 Ground fueling products | Energy products | Aftermarket services

MEGGITT
 smart engineering for
 extreme environments

Energy products

Pressure metering tube C329275

Key dimensions



| PART NUMBER | DIMENSION A | DIMENSION B | FLANGE SIZE | PIPE SIZE |
|-------------|-------------|-------------|-------------|------------|
| C329275 | 16.56/16.44 | 12.06/11.94 | 1-1/2 INCH | 1-1/2 INCH |
| C329275-1 | 16.56/16.44 | 12.06/11.94 | 1-1/2 INCH | 1-1/2 INCH |
| C329275-2 | 22.06/21.94 | 16.06/15.94 | 2 INCH | 2 INCH |

NOTE: EXCEPT WHERE INDICATED, ALL DIMENSIONS ARE IN INCHES.

Contact

Meggitt Controls

12838 Saticoy St
North Hollywood
California 91605-3505
USA

Telephone: (818) 765-8160
FAX: (818) 759-2194

www.meggitt.com

Meggitt Control Systems

Our product competencies & services:
Aerospace valves | Thermal management solutions | Environmental control systems | Electro-mechanical products
Ground fueling products | **Energy products** | Aftermarket services

MEGGITT
smart engineering for
extreme environments