

Energy products

Gas fuel staging valve C329235

One-inch tube size, 95 to 140 vdc, solenoid actuated (SA)



Meggitt's one-inch poppet style gas fuel staging valve is in use on a variety of industrial gas turbine engines. With millions of field operating hours, this design continues to prove the high reliability of Meggitt design technology.

Specifications

| | |
|------------------------------------|---|
| Function: | Gas fuel burner staging for aero-derivative turbine engine control |
| Type: | Two position, three way, normally open, poppet, solenoid actuated |
| Physical size: | 3.50" x 4.50" x 12.21" high |
| Weight: | 26 pounds |
| Fluid connection type: | 1" pipe, GE J534P58 |
| Line pressure: | 0 to 560 psia |
| Fluid temperature: | 0 to 300°F maximum |
| Ambient temperature: | 20 to 300°F |
| Performance: | |
| Operating speed: | Less than 150 msec full stroke response |
| Internal leakage: | 0.1 pph maximum at all operating conditions |
| Pressure drop: | 6.0 psid at 194 psia, 75°F and 360 pph air flowing through a single fitting |
| Electrical: | |
| Solenoid: | 95 to 140 VDC, 1 ampere maximum |
| Position indicating switch: | 10 to 32 VDC, SPDT |
| Electrical connector: | M83723/83G1407N |

Key features

- Fail-safe open (de-energized)
- Closed position indicating switch circuit
- 150 msec full stroke response time
- Used on both DLE and SAC turbine engines
- Non incendiary design, CSA/UL certified for NEC class 1, division 2, group D, temp code T2C
- All stainless steel valve and body materials for NACE compliance
- No maintenance required under normal conditions

Meggitt Control Systems

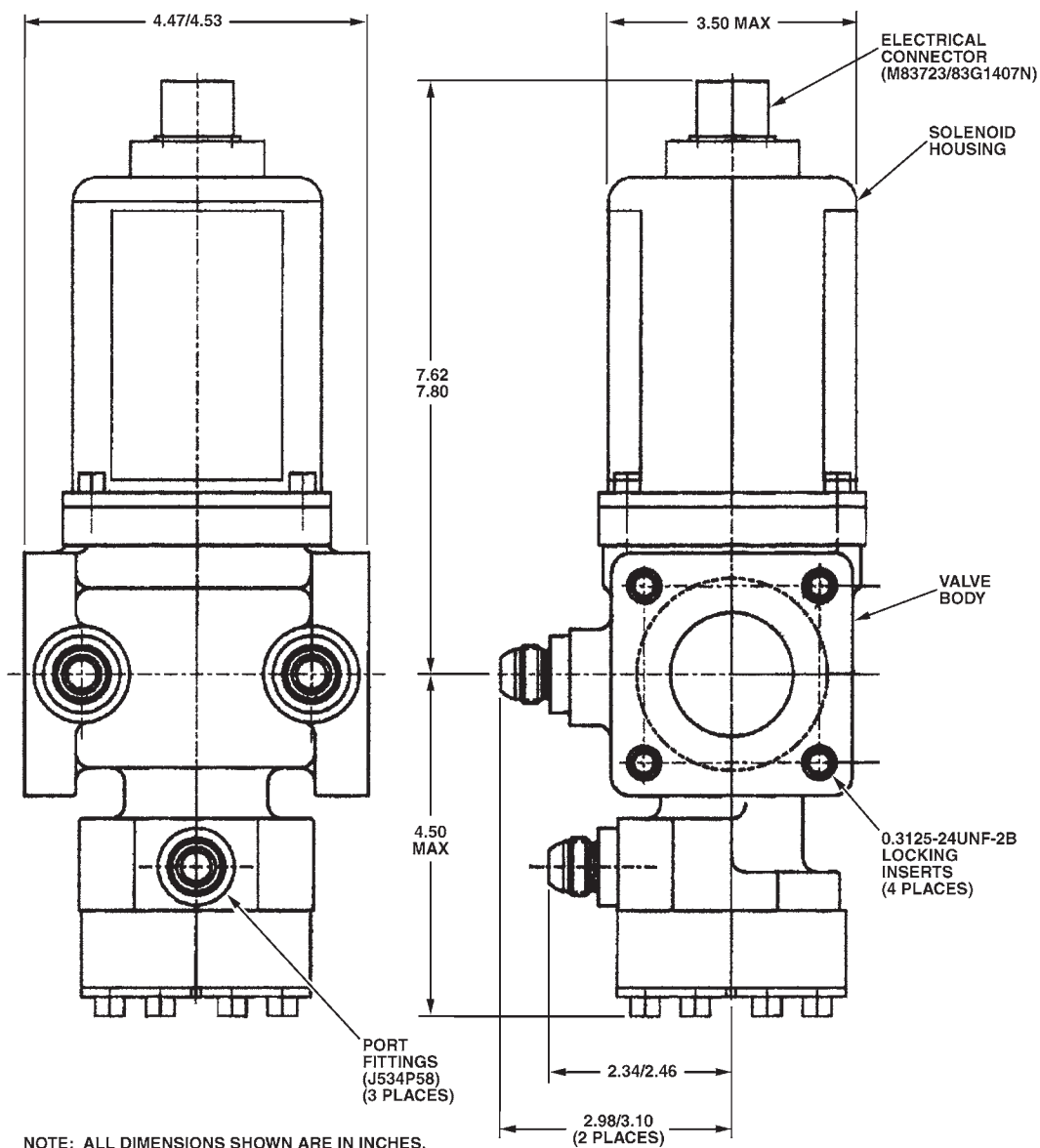
Our product competencies & services:
Aerospace valves | Thermal management solutions | Environmental control systems | Electro-mechanical products
Ground fueling products | **Energy products** | Aftermarket services

MEGGITT
smart engineering for
extreme environments

Energy products

Fuel staging valve C329235

Key dimensions



Contact

Meggitt Controls

12838 Saticoy St
North Hollywood
California 91605-3505
USA

Telephone: (818) 765-8160
FAX: (818) 759-2194

www.meggitt.com

Meggitt Control Systems

Our product competencies & services:

Aerospace valves | Thermal management solutions | Environmental control systems | Electro-mechanical products
Ground fueling products | Energy products | Aftermarket services

MEGGITT
smart engineering for
extreme environments