

Energy products

Flow shutoff valve

C327845

Two-inch flange, 24 vdc,
solenoid pilot actuated (SPA)



Meggitt's two-inch poppet style gas flow shutoff valve is in use on a variety of industrial gas turbines with millions of field operating hours. This product continues to prove the high reliability of Meggitt design technology.

Specifications

Function:	Fail-safe fuel gas flow shutoff for gas turbine engines
Physical size:	9.00" flange to flange, 15.19" high
Weight:	80 pounds maximum
Flange type:	2" ANSI B16.5 CL 600 raised face flanges
Line pressure:	0 to 1000 psig
Fluid temperature:	32 to 350°F
Ambient temperature:	-65 to 150°F

Performance

Flow:	0 to 3.5 pounds/sec natural gas, Cv = 55
Leakage:	ANSI class V
Operating time:	100 msec fail-safe closed (de-energized); 200 msec to fully open
Pressure drop (full open):	11 psid maximum at 80°F and 3.5 pounds/second flow

Electrical

Solenoid:	Continuous duty, 24 VDC nominal (20 to 28 VDC), 2 amperes maximum
Closed position indicating switch:	28 VDC, 2.5 amperes, 3-wire, SPDT

Key features

- Fail-safe closed (de-energized)
- Closed position indicating switch
- 100 msec fail-safe closing time
- 200 msec opening time
- High temperature poppet seal
- For use on both DLE and SAC turbine engines
- Explosion proof design, CSA/UL certified for NEC class 1, division 1, groups C and D, temp code T4, CE zone 1, EExd IIB, CE-ATEX and PED certified
- All stainless steel valve and yoke materials for NACE compliance
- No maintenance required under normal conditions

Meggitt Control Systems

Our product competencies & services:

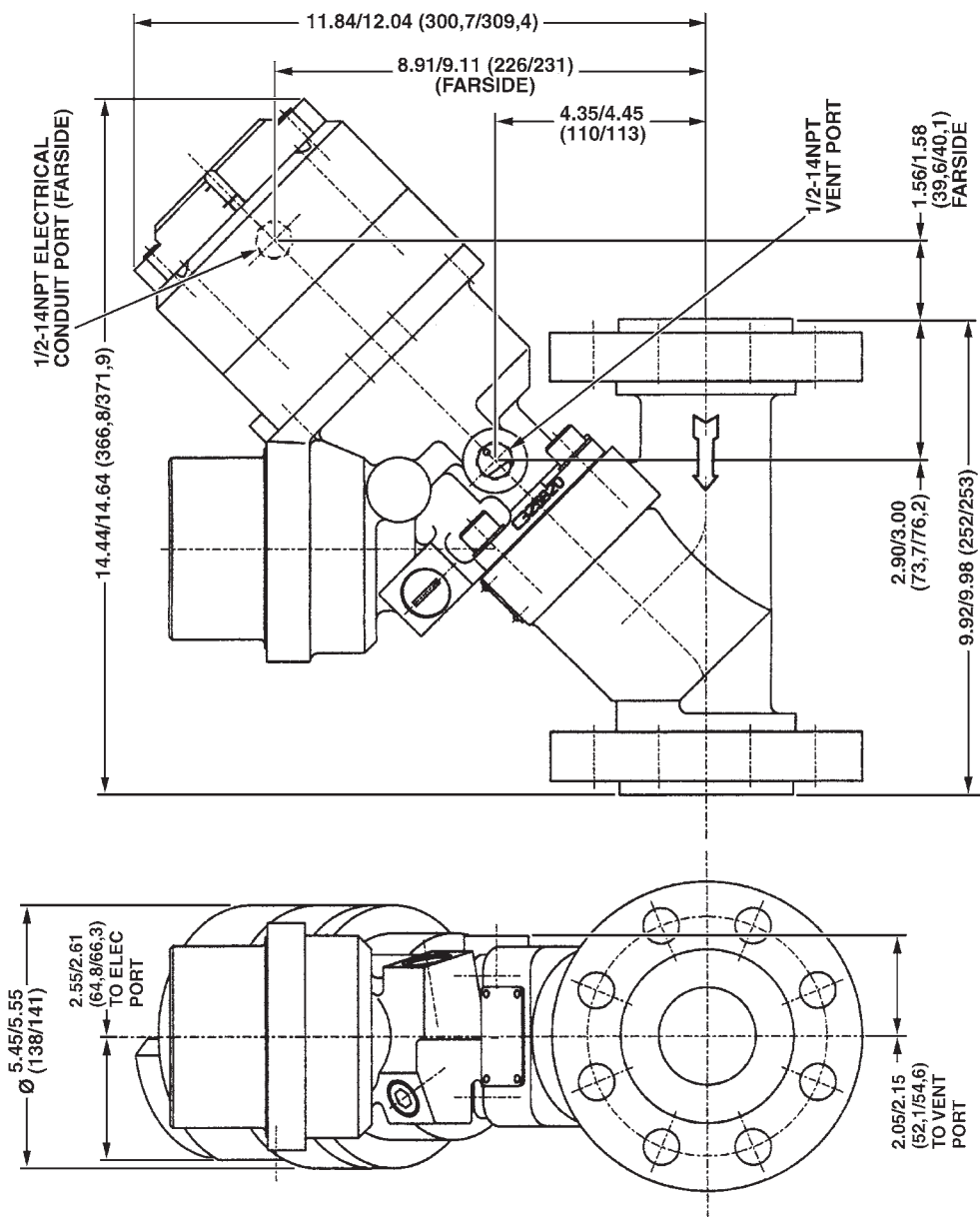
Aerospace valves | Thermal management solutions | Environmental control systems | Electro-mechanical products
Ground fueling products | Energy products | Aftermarket services

MEGGITT
smart engineering for
extreme environments

Energy products

Flow shutoff valve C327845

Key dimensions



NOTE: DIMENSIONS SHOWN ARE IN INCHES (MM).

Contact

Meggitt Controls

12838 Saticoy St
North Hollywood
California 91605-3505
USA

Telephone: (818) 765-8160
FAX: (818) 759-2194

www.meggitt.com

Meggitt Control Systems

Our product competencies & services:

Aerospace valves | Thermal management solutions | Environmental control systems | Electro-mechanical products
Ground fueling products | **Energy products** | Aftermarket services

MEGGITT
smart engineering for
extreme environments