

Energy products

Liquid metering valve C236385

One-inch tube size, 150 to 200 vdc,
 electromechanically actuated (EMA)



Meggitt's one-inch spool and sleeve style liquid fuel metering valve is in use on several aero-derivative gas turbines. With many years of successful field operation, this design demonstrates the precision of Meggitt EMA technology.

Specifications

Function:	Precision liquid fuel metering for aero-derivative turbine engine control
Physical size:	12.1" x 6.00" x 19.33" high
Weight:	60 pounds
Fluid connection type:	1" pipe, code 61, SAE J518
Line pressure:	0 to 1440 psig
Fluid temperature:	32 to 176°F
Ambient temperature:	-40 to 180°F
Performance:	
Flow:	Linear trim, 0 to 57 gpm
Operating speed:	Less than 200 msec full stroke response
Internal leakage:	0.75 gpm or less at 100 psid
Electrical:	
Motor:	Steady state, 150 to 200 VDC, 0.50 ampere; 10 amperes maximum transient for 100 msec
Resolver:	4 VAC, 25 to 60 ma maximum
Closed position indicating switch:	20 to 32 VDC, SPDT

Key features

- Accuracy, $\pm 5\%$ at 3.0 to 57 gpm
- High speed brushless DC servo motor performance, 20 Hz frequency response
- 200 msec full stroke response time
- Used on SAC turbine engines
- UL certified for NEC class 1, division 1, groups C and D, temp code T4, CE-PED certified
- All stainless steel valve and yoke materials for NACE compliance
- No maintenance required under normal conditions

Meggitt Control Systems

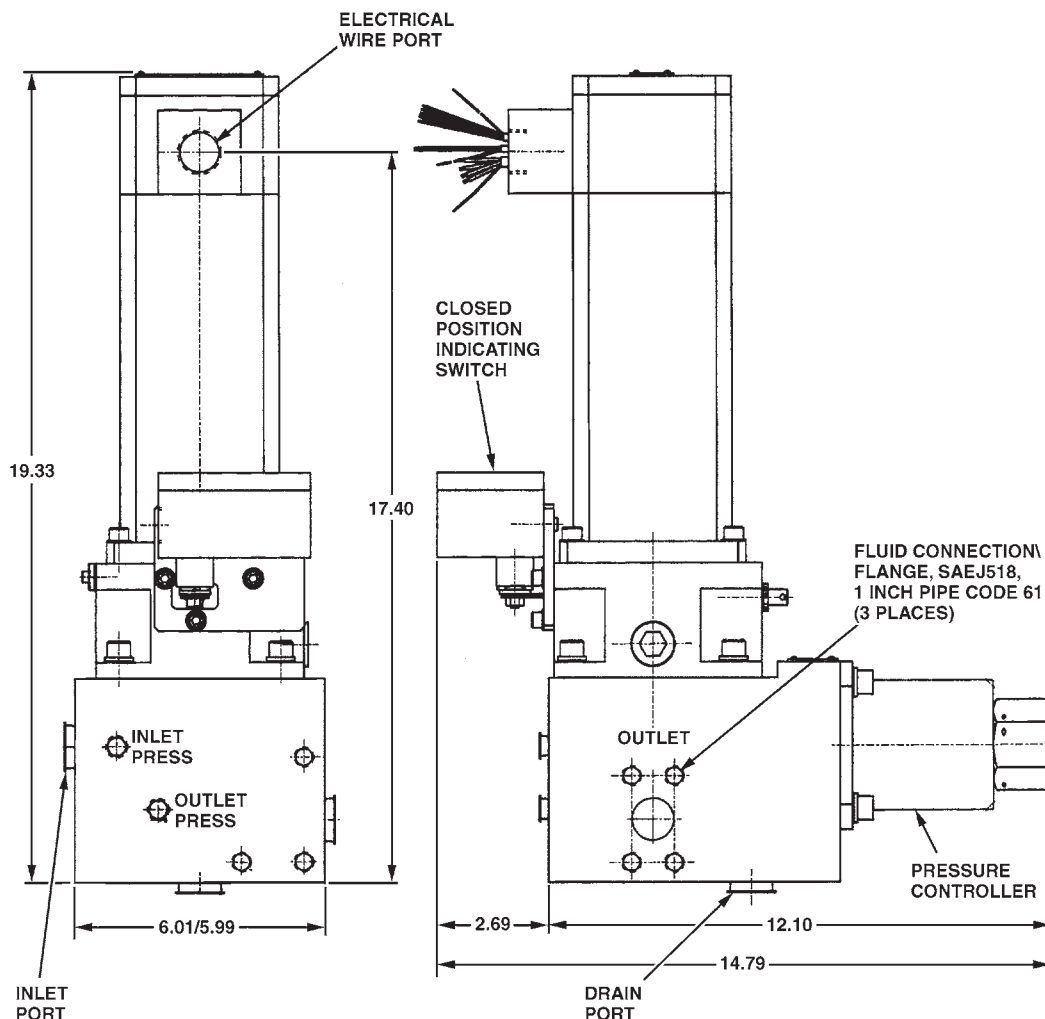
Our product competencies & services:
 Aerospace valves | Thermal management solutions | Environmental control systems | Electro-mechanical products
 Ground fueling products | **Energy products** | Aftermarket services

MEGGITT
 smart engineering for
 extreme environments

Energy products

Liquid metering valve C236385

Key dimensions



Contact

Meggitt Controls

12838 Saticoy St
 North Hollywood
 California 91605-3505
 USA

Telephone: (818) 765-8160
 FAX: (818) 759-2194

www.meggitt.com

Meggitt Control Systems

Our product competencies & services:
 Aerospace valves | Thermal management solutions | Environmental control systems | Electro-mechanical products
 Ground fueling products | Energy products | Aftermarket services

MEGGITT
 smart engineering for
 extreme environments